



NAME:
DATE:

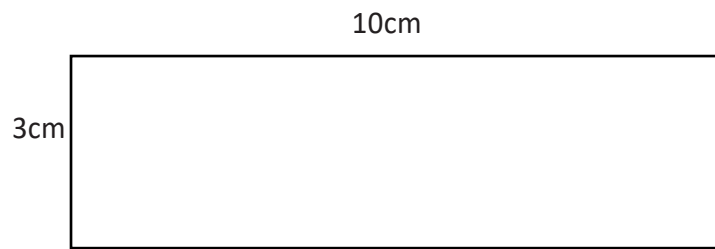
S H A P E S
COMPOUND SHAPES

K S 3
MATHIMATICS

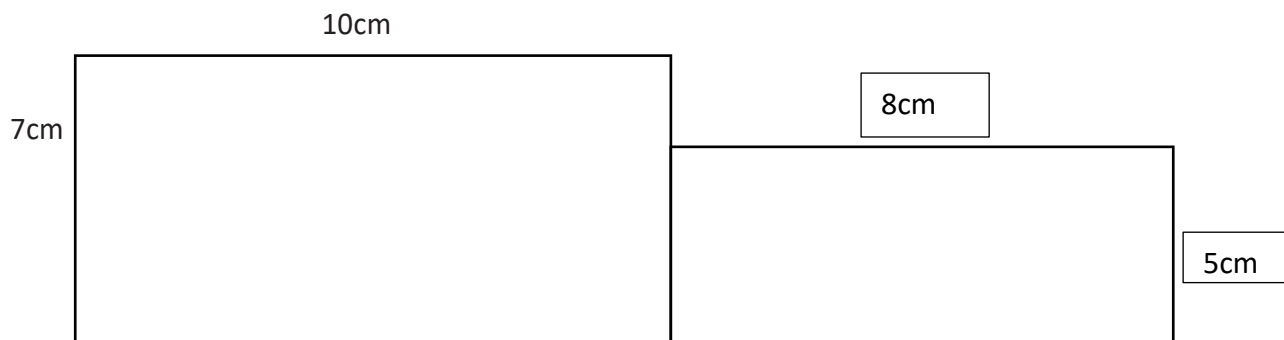
MARK	GRADE
<input type="text"/>	<input type="text"/>

- ANSWER ALL QUESTIONS
- ALL WORKINGS MUST BE SHOWN
- USE THE CALCULATOR WHEN EXPECTED

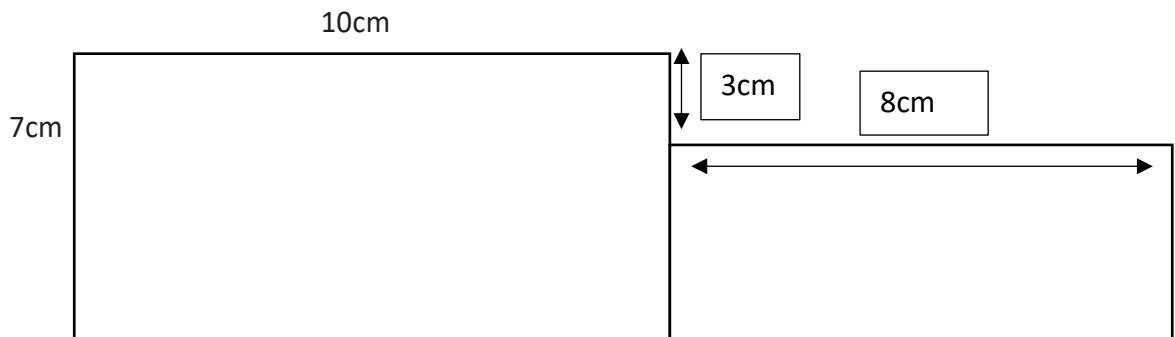
1. Find the area of the shape below.



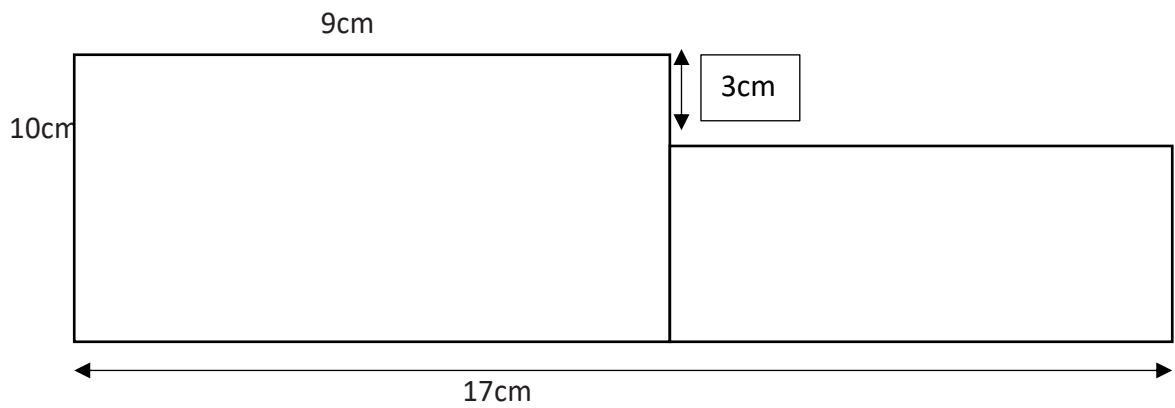
2. Find the area of the shape below.



3. Find the area of the shape below.



4 Find the area of the shape below.



5 . Find the area of the shape below.

